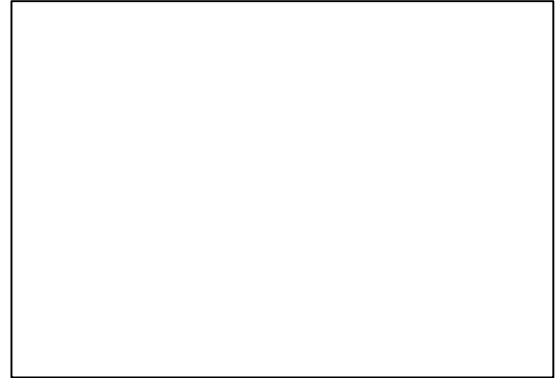


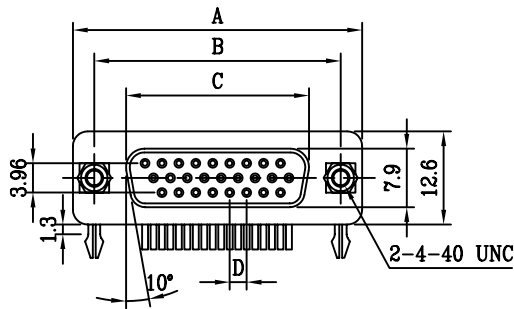
High-Density-D-Subminiatur-Connector with Dip-Solder Contact90° R.A. Economy Type with stamped Contacts

Technical data :

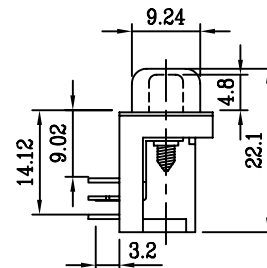
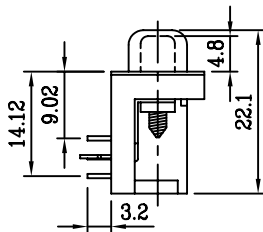
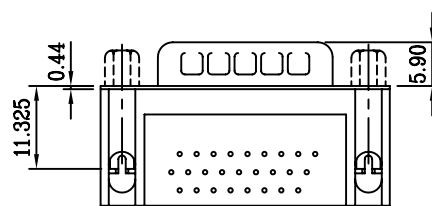
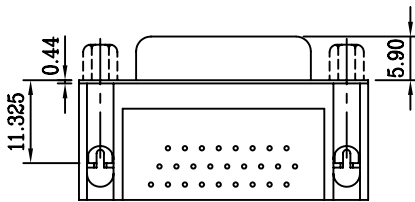
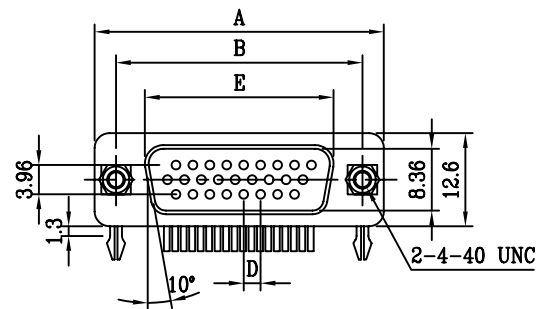
Material shell:	Steel tin-coat over nikel
Insulator:	Thermoplastic polyester
Burning properties:	Self extinguishing rated UL94V0
Contact:	Copper alloy
Contact surface:	Gold over nickel
Operating temperature:	-65°C to+105°C
Electrical data :	
Current rating:	5 A
Working voltage:	125V AC
Test voltage:	1000V/50HZ
Contact resistance:	10mohm
Insulation resistance:	10 ¹⁰ Mohm min. 500V DC
Insulation resistance:	1000Mohm min. 500V DC



Female

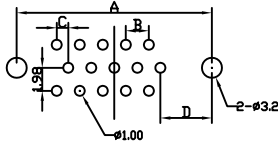


Male

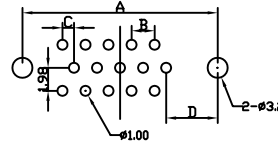


D-Sub-Connector High-density Dip Solder straight

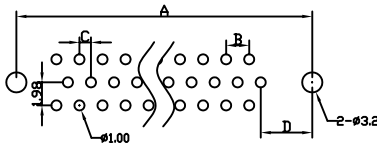
15 POSITION FEMALE



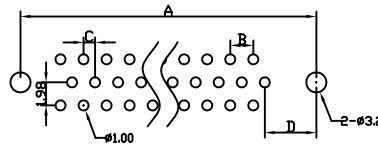
15 POSITION MALE



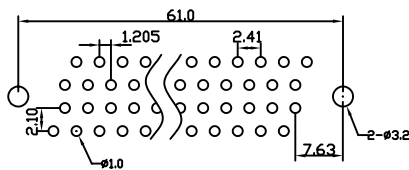
26,44,62 POSITION MALE



26,44,62 POSITION FEMALE

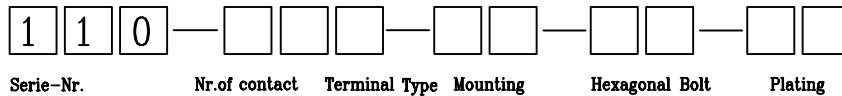


78 POSITION FEMALE/MALE



Position	A	B	C	D
15M/F	25.0	2.29	1.145	7.04
26M/F	33.3	2.29	1.145	6.88
44M/F	47.1	2.29	1.145	6.88
62M/F	63.5	2.41	1.205	7.00

How to order



Nr. of contact	Code
15	15
26	26
44	44
62	62

Terminal Type	Code
Pin	1
Socket	2

Dimensions(Male version)			
	A	B	C
15	16.92	24.99	30.81
26	25.25	33.32	39.14
44	38.96	47.04	53.04
62	55.42	63.50	69.32

Dimensions(Female version)			
	A	B	C
15	16.92	24.99	30.81
26	25.25	33.32	39.14
44	38.96	47.04	53.04
62	55.42	63.50	69.32

Mounting method	Code
4#40 Thread rivet W/Boardlock	10
Non rivet,Fixed screws W/Boardlock	20
Non thread rivet	30
4#40 Thread rivet only	31
4#40 Thread rivet W/L bracket	40
Non rivet,Fixed screws W/L Bracket	50
4#40 Thread rivet W/4-prong boardlock	60
M3 Thread rivet W/ bracket	70
M3 Thread rivet W/L Boardlock	80
M3 Thread rivet W/4-prong boardlock	90

Plating Option	Code
Full gold Flash plating	10
Selective gold flash plating	60
5u" selective gold plating	05
15u" selective gold plating	15
30u" selective gold plating	30

Hexagonal bolt Option	Code
Loose HEX.Screws 4.8x11.8	10
Fixed HEX.Screws 4.8x11.8	20
Loose HEX.Screws 4.8x11.8	30
Fixed HEX.Screws 5.8x12.0	40
NON-Accessories	50