

Specifications:

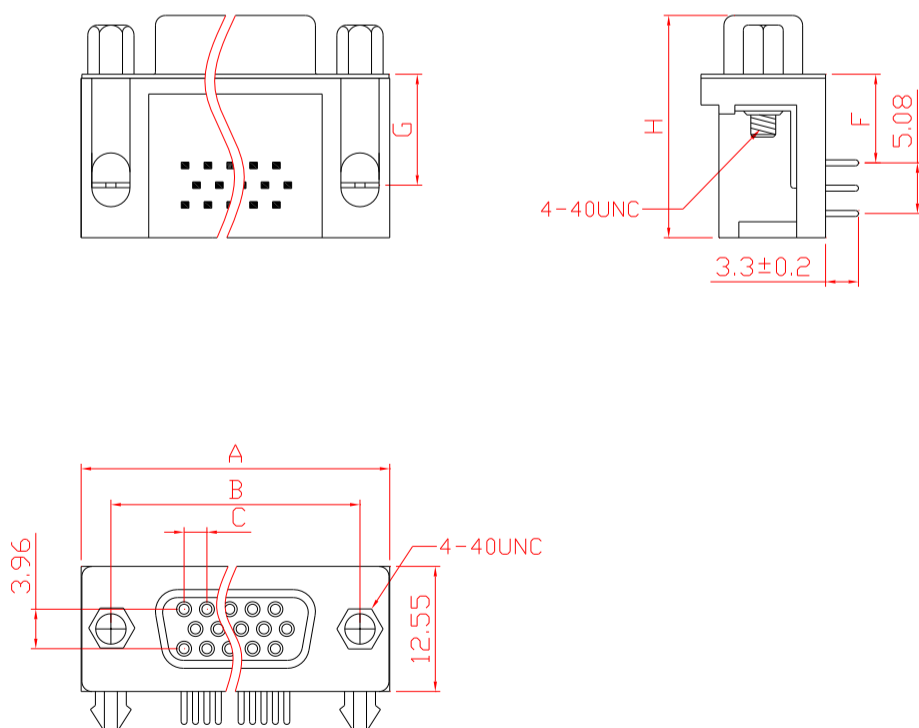
Contact Resistance: 30mΩ max.at DC 100 mA
 Insulator Resistance: 1000MΩ min.at DC 500V
 Current Rating: 3AMP

Dielectric Withstanding
 Voltage: AC 1000V For 1 minute
 Operating Temperature: -55℃--+105℃
 Contact: Phosphor bronze
 Housing: PBT &30% Glass Fiber(UL 94V-0)

Position	A	B	C
15	31.04	24.99	2.29
26	39.24	33.32	2.29
44	53.04	47.04	2.29
62	69.62	63.50	2.41

F	G	H
3.08	5.08	14.45
8.89	10.89	22.2

设计/Designed by	绘图/Drawing by	审核/Checked by	批准/Approved by	未注公差 General Tolerance		
 新亚联合科技 XINYA UNITED TECH CO.,LTD.	108M产品图	QJ/XYT-12015	文件编号/File No.	x. ±0.2 x.' ±2'		
				图名/Title	文件编号/File No.	.x ±0.1 .x' ±1'
				页序/Sheet	文件编号/File No.	.xx ±0.05 .xx' ±0.5'
备注/Remark				.xxx ±0.01		
				单位/units: mm		



Specifications:

Contact Resistance: 30mΩ max.at DC 100 mA
 Insulator Resistance: 1000MΩ min.at DC 500V
 Current Rating: 3AMP

Dielectric Withstanding
 Voltage: AC 1000V For 1 minute
 Operating Temperature: -55℃--+105℃
 Contact: Phosphor bronze
 Housing: PBT &30% Glass Fiber(UL 94V-0)

Position	A	B	C
15	31.04	24.99	2.29
26	39.24	33.32	2.29
44	53.04	47.04	2.29
62	69.62	63.50	2.41

F	G	H
3.08	5.08	14.45
8.89	10.89	22.2

设计/Designed by	绘图/Drawing by	审核/Checked by	批准/Approved by	未注公差 General Tolerance		
 新亚联合科技 XINYA UNITED TECH CO.,LTD.	108F产品图	QJ/XYT-12016	文件编号/File No.	x. ±0.2 x.' ±2'		
				图名/Title	文件编号/File No.	.x ±0.1 .x' ±1'
				页序/Sheet	文件编号/File No.	.xx ±0.05 .xx' ±0.5'
备注/Remark				.xxx ±0.01		
				单位/units: mm		