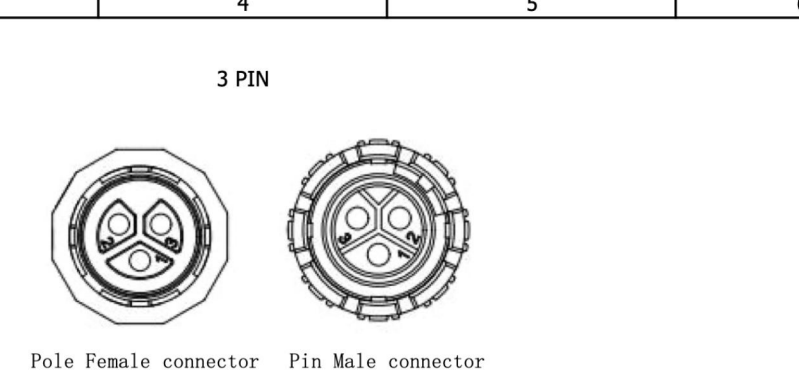


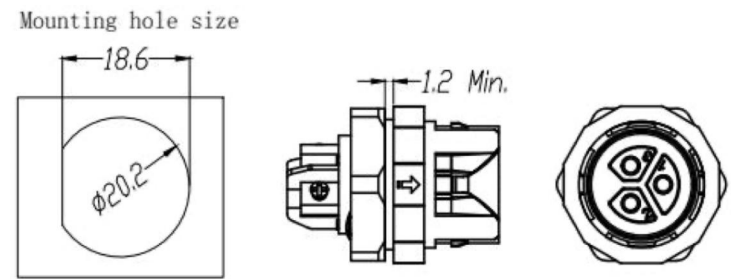
Raw Material	PA66、SILICONE、 COPPER ALLOY
Certification	UL/CQC/RoHS/CE
Flame-resistant rating	UL94 V-0
Level of protection	IP68
Voltage rating/Current rating	450 V / 20 A
Withstanding voltage	2500 V
Cable gauge	0.5~2.5mm <sup>2</sup>
Operating temperature	-40~105 °C



REV	DESCRIPTION	DESIGN	DATE
A0	NEW DRAWING	Andy. Pi	2022/4/13

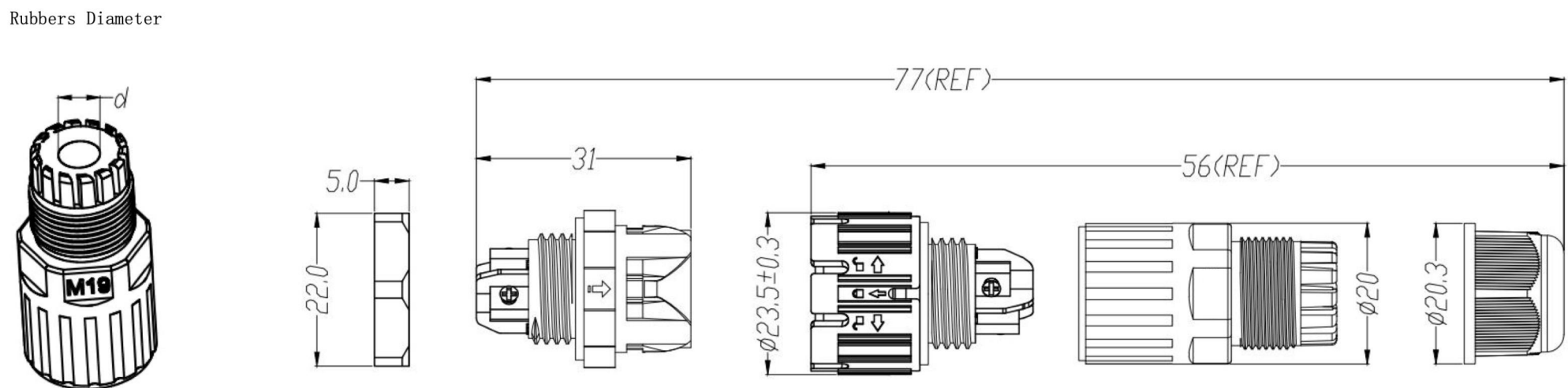


Part Number	Rubbers Diameter(d)	Outer Cable Diameter
EW-M19MP-03103BB10	φ 10.2 mm	φ 7~10 mm
EW-M19MP-03103BB8	φ 8.1 mm	φ 5~8 mm
EW-M19MP-03103BB6	φ 6.5 mm	φ 3.5~7 mm



The color of the product is subject to the actual product, the picture is for reference only

Rubbers Diameter
------------------



21.25 g	42x30x26 cm	1000 PCS	21.95 Kg
Weight	MEAS	Each carton number	G. W.

TOLERANCE UNSPECIFIED			UNIT	mm	DRAW	P/N	EW-M19MP-03103BB##
X. ±0.35	X.XX ±0.10	X.° ±3°	SCALE	1:1	CHKD	D/N	EW-M19MP-03103BB##
X.X ±0.20	X.XXX ±0.05	X.X° ±2°	SHEET	1/1	APPD	TITLE	EW-M19MP-3P WATERPROOF CONNECTOR
		X.XX° ±1°					

